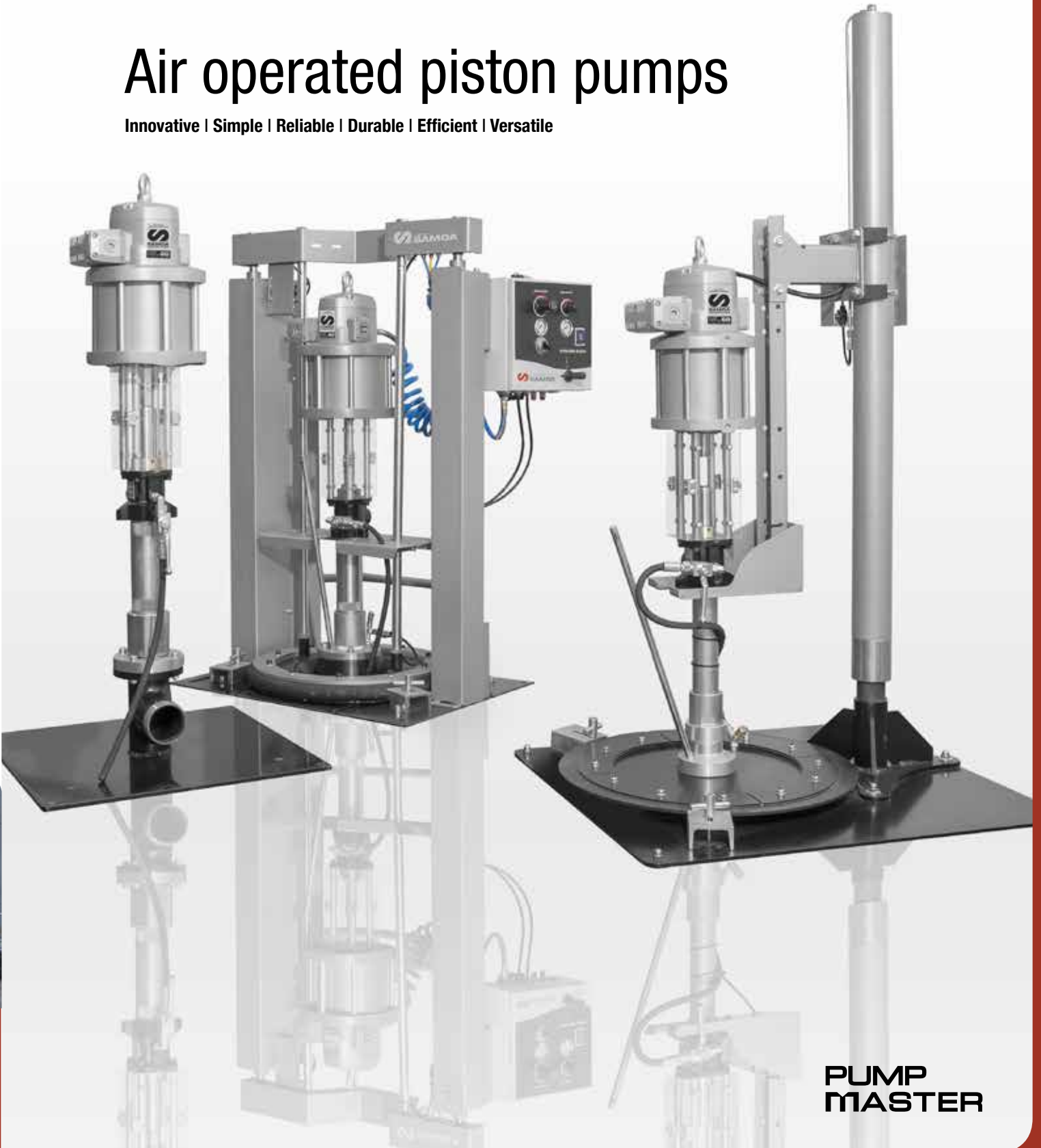


Air operated piston pumps

Innovative | Simple | Reliable | Durable | Efficient | Versatile



**PUMP
MASTER**

SAMOA piston pumps

Piston pumps are used in a wide variety of fluid handling applications. The majority of these can be broken into four different categories:

Transfer

Simple transfer involves moving a low to medium viscosity fluid from one location to another. Double-Ball and Power-Piston pumps are normally used in transfer applications.

Extrusion

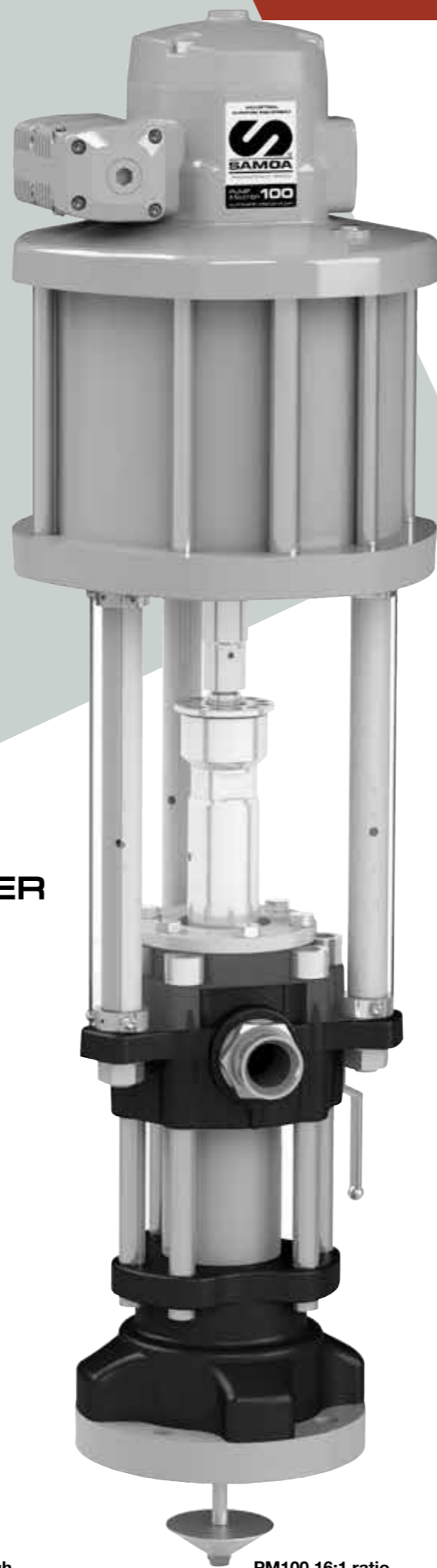
Extrusion involves using a Piston Pump to apply medium to high viscosity materials. Typical extrusion applications require accessories like inductor plates. Power-Piston and Dynamic-Primer pumps are commonly used in extrusion applications.

Coating application

This involves application of a material by either spray or dipping. Coating applications use Double-Ball pumps.

Measuring/Dispense

Measuring and Dispense involves the delivery of a specified quantity of fluid on a repetitive basis. Measuring/Dispense applications use Double-Ball, Power-Piston and Dynamic-Primer pumps.

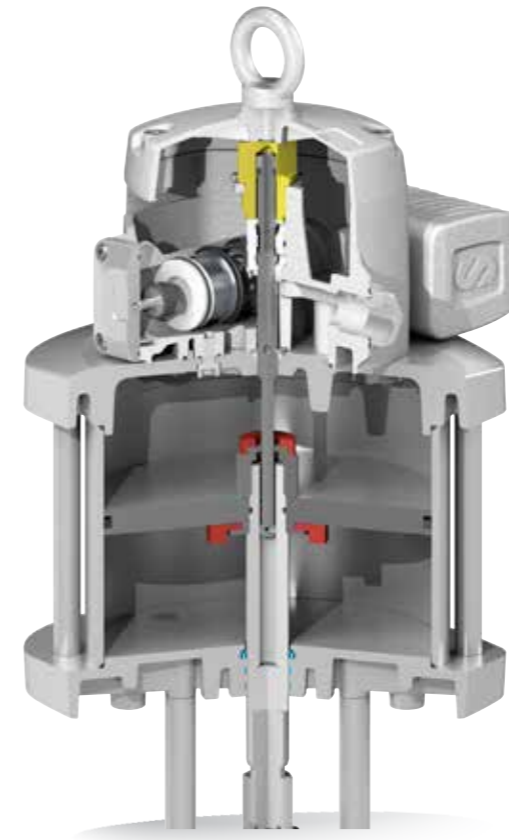


PUMP MASTER



PM60 3:1 ratio high delivery transfer Double-Ball pump (up to 150 kg/min)

PM100 16:1 ratio Dynamic-Primer pump for dispensing heavy materials.



Reliable air motors

SAMOA mechanically driven air motors provide the reliability and dependability required for assuring non-stalling operation and superb performance under every working condition. The very simple air valve has no energy consuming springs that could fail due to material fatigue or pneumatic end of stroke sensors that could get locked because of dirty air.

All SAMOA air motors include a well dimensioned air exhaust manufactured in aluminium for an efficient heat transfer to avoid icing. The air exhaust includes a muffler to reduce noise levels, to meet or exceed OSHA requirements. The muffler can be removed for connecting an air hose to the exhaust port for expanding the air to a remote location.

Air motors are available with 3 1/2", 4 1/2", 6", 8", 10" and 12" air pistons.

SAMOA piston pump types and applications

Double-Ball pumps



They have a large porting for positive priming and pumping of light to medium viscosity fluids.

Applications

Transfer and supply
Spray
Measure and dispense

Materials handled

Oils
Coatings
Paints
Chemicals

Power-Piston pumps



They combine the priming advantages of a ball check with the abilities of an upper chop check valve to handle heavier materials.

Applications

Transfer and supply
Extrusion
Measure and dispense

Materials handled

Grease
Adhesives
Inks
Coatings
Sealers

Dynamic-Primer pumps



The primer rod extends below pump cylinder to penetrate and work the material as well as provide positive priming of the heaviest pumpable materials.

Applications

Extrusion
Measure and dispense

Materials handled

Caulking
Heavy lubricants
Mastics
Sealants
Glues

SAMOA offers the right pump package to meet your requirement.



PM80 50:1 ratio Dynamic-Primer pump for extruding heavy materials mounted on double post air operated inductor plate.



PM60 22:1 ratio Power-Piston pump for dispensing heavy materials mounted on a pump hoist with follower plate.



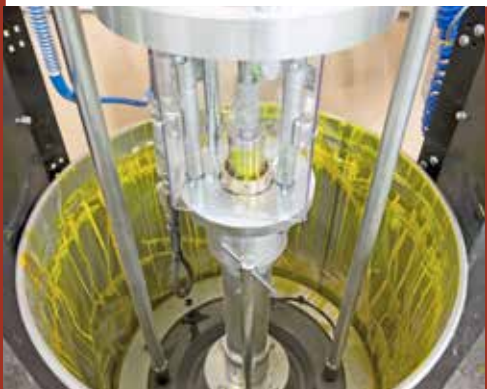
PM45 40:1 ratio Power-Piston pump for extruding heavy materials mounted on an air operated mobile inductor plate for 20 kg pails.



PM80 20:1 ratio Dynamic-Primer pump for extruding heavy materials, flange mounted to a floor suction stand.



PM35 60:1 ratio Dynamic-Primer lubrication equipment pump package for dispensing heavy greases.



SAMOA INDUSTRIAL, S.A. - EUROPE AND REST OF THE WORLD
 Pol. Ind. Porceyo, I-14 - Camino del Fontán, 831 - E-33392 Gijón (Asturias) SPAIN
 Tel.: +34 985 381 488 - Fax: + 34 985 147 213
 flow@samoaindustrial.com
 www.samoaindustrial.com/flow
 ©Copyright, SAMOA Industrial, S.A.
 SAMOA Industrial, S.A. is an ISO 9001, ISO 14001 and OHSAS 18001 certified company.



SAMOA CORPORATION - NORTH AMERICA
 90 Monticello Road
 Weaverville, NC 28787, USA
 Tel.: +1 828-645-2258
 Fax: +1 828-645-2607
 www.samoacorporation.com